



Master Series Infra-Red Salamander Broiler

Item: _____
 Quantity: _____
 Project: _____
 Approval: _____
 Date: _____

Master Series Infra-Red Salamander Broiler

Models:

- MIR-34L MIR-34C

Infra-Red Broilers With 3 Position, Spring Balanced Rack



Standard Features:

- Range Mount Model MIR-34L – stainless steel front, sides, backsplash, and bottom w/heat shield
- Counter Mount Model MIR-34C – stainless steel front and sides – C/W 4" (102mm) legs
- 1/2" NPT top gas inlet
- Two 20,000 BTU (5.86 kW) atmospheric infra-red burners.
- Two individual Hi-Lo valve controls
- Three-position spring-balanced rack assembly raising/lowering mechanism
- Large capacity removable grease pan
- Gas regulator

Optional Features:

- Stainless steel main top.
 Stainless steel main bottom. – MIR-34C
 Brackets for wall mounting , and stainless steel bottom w/heat shield
 Interconnecting gas piping for range-mount

Specification:

Gas infra-red salamander broiler, range mount Model MIR-34L and counter mount Model MIR-34C. Two (2) 20,000 BTU (5.86 kW) atmospheric infra-red burners. Three-position adjustable rack. Stainless steel front, sides, backsplash (range mount) and bottom w/heat shield. 40,000 BTU (11.72 kW) total. Natural or propane gas.



| INSTALLATION NOTES | | |
|--|--|---|
| Combustible Wall Clearances ¹ | Entry Clearances | Manifold Operating Pressure |
| Sides: 6" (152mm) Back: 6" (152mm) | Crated: 39 3/4" (997mm) Uncrated: 34-3/4" (870) | Natural: 6" WC (15mbar) Propane: 10" WC (25mbar) |

¹NOTE: Installation clearance reductions are applicable only where local codes permit.

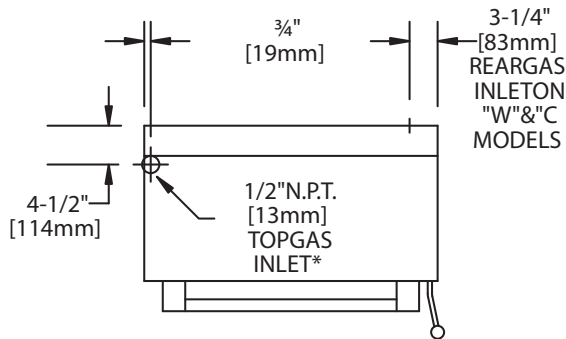
Data applies only to North America

Commercial cooking equipment requires an adequate ventilation system. For additional information, refer to the National Fire Protection Association's standard NFPA96. (for North American only)

Gas input ratings shown here are for installations up to 2,000 ft. (610m) above sea level.

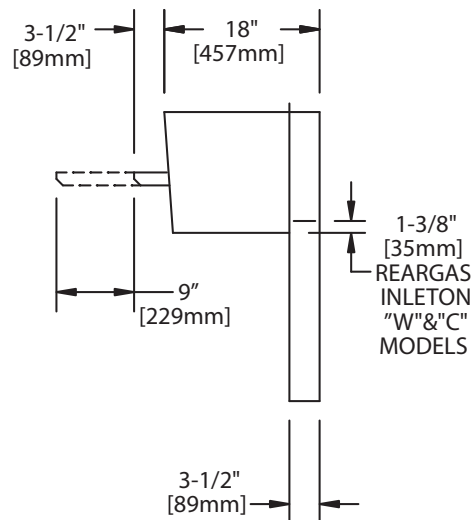
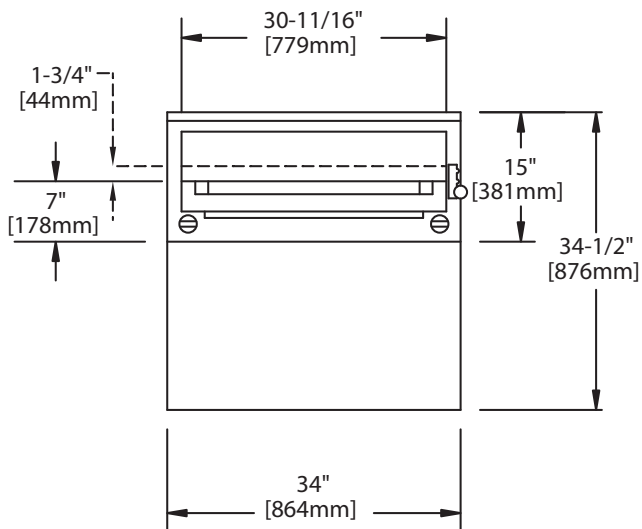
Specify altitudes over 2,000 ft.

Please specify gas type when ordering.



| PRODUCT | MIR-34L |
|--------------------------------------|--------------|
| Width: In(mm) | 34(864) |
| Depth: In(mm) | 18(457) |
| Height: In(mm) | 34-1/2(876) |
| INPUT:BTU/hr(kW)(Natural Gas) | 40,000(11.7) |
| Shipping Wt:(Lb/Kg) | 200/99 |
| Cu Ft | 22 |

*Note: TOP GAS INLET pipe extension adds 4" (258mm) to overall height.



Form# MIR34L (08/09/10)