



REFRIGERATION

34-INCH COUNTERTOP REFRIGERATED DISPLAY

Item: 44630 Model: RS-CN-0160-4

**ATTRACTIVELY DESIGNED
TO BOOST IMPULSE SALES**

Omcans 35-inch Countertop Refrigerated Display Case helps to boost impulse sales of your most popular food anytime! This refrigerated display case has interior LED lights on top for better product visibility. Boasting a powerful 330 Watts Input Power, it also features ventilated cooling system and automatic defrost.



PRODUCT FEATURES

- Brilliant internal LED lighting on top
- Digital temperature controller and display
- Adjustable chrome plated shelves
- 4 sides are double glass
- Front curved glass
- Ventilated cooling system
- Automatic defrost
- Air duct outside the glass to remove water condensation



WARRANTY
PARTS AND LABOR



Authorized Dealer

REFRIGERATION

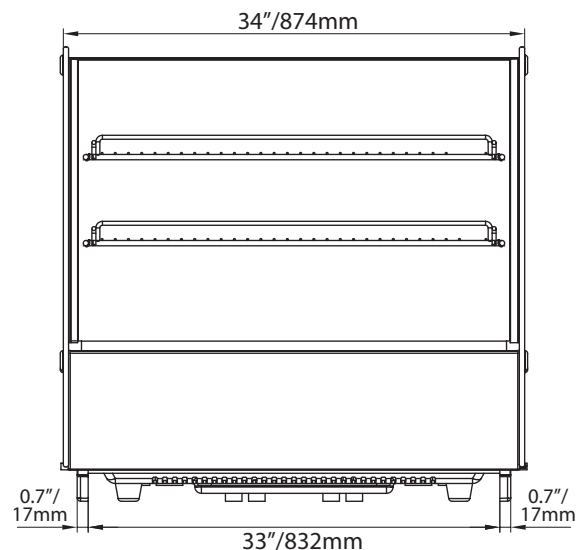
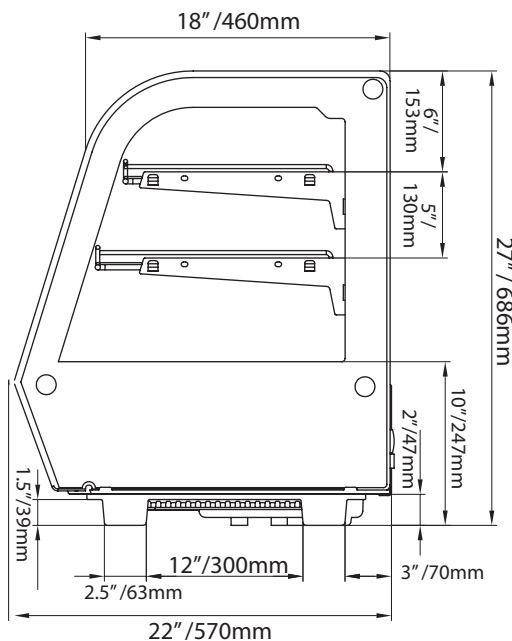
35-INCH COUNTERTOP REFRIGERATED DISPLAY CASE



TECHNICAL SPECIFICATIONS

| | |
|---------------------------|--|
| ITEM NUMBER | 44630 |
| MODEL | RS-CN-0160-4 |
| CAPACITY (L / CU. FT.) | 160 L / 5.65 Cu. Ft |
| INPUT POWER | 0.33 kW |
| REFRIGERANT | R290 |
| TEMPERATURE RANGE | 0° - 12°C / 32° - 53.5°F |
| ELECTRICAL | 110V / 60Hz / 1Ph |
| SHELF DIMENSIONS | (1) 32" x 13" / 813 x 335 mm, (1) 32" x 13" / 813 x 367 mm |
| SHELF LOAD CAPACITY (ea.) | 33lbs./ 15 kg. |
| DIMENSIONS (WDH) | 34" x 22" x 27" / 874 x 570 x 686mm |
| GROSS DIMENSIONS | 35" x 22" x 27" / 880 x 560 x 686 mm |
| WEIGHT | 145.5 lbs. / 66 kgs. |
| GROSS WEIGHT | 153 lbs/ 69.5 kg |

TECHNICAL DRAWINGS WITH DETAILED DIMENSIONS



OMCAN INC.

Telephone: 1-800-465-0234

Fax: (905) 607-0234

E-mail: sales@omcan.com

Website: www.omcan.com



Follow us to keep up to date
with the latest news and offers



2019.E.O.E