

# H-33 AND H-115 HOTPLATES

H-33 AND H-115 HOTPLATES



Wells Hotplates H-33 and H-115 are dependable and easy-to-use. Flat, spiral elements provide a wider cooking area for more surface contact and are self-cleaning. Drip trays are easily removable for cleaning.

## Features

- The six-inch diameter, flat, spiral elements allow for more surface contact.
- The elements are self-cleaning.
- Drip trays are chrome-plated and removable for easy cleaning.
- An infinite control switch with positive-off position controls the element.
- Control knobs are front-mounted with a protective guard ring to help prevent accidental temperature changes.
- The H-33 and H-115 Hotplates are Underwriters Laboratories, Inc. LISTED and meet the National Sanitation Foundation and Canadian standards.
- A one-year warranty against defects covers parts and labor.

## Specifications

Dimensions:	Inches	MM
<b>Overall Dimensions (H-33):</b>		
Width	12 5/8	321
Depth	12 5/8	321
Height (incl. 4" legs)	10	254
<b>Overall Dimensions (H-115):</b>		
Width	14 3/4	375
Depth	23 9/16	598
Height (incl. 1" legs)	7	178
<b>Temperature Settings:</b>	OFF/LO to HI	
<b>Number of Controls:</b>	<b>Model</b>	<b>Number</b>
	H-33	1
	H-115	2
<b>Weights:</b>	<b>Lbs.</b>	<b>KG</b>
<b>H-33:</b>		
Installed	11	5
Shipping	14	6
<b>H-115:</b>		
Installed	18	8
Shipping	21	10

## Accessories / Options

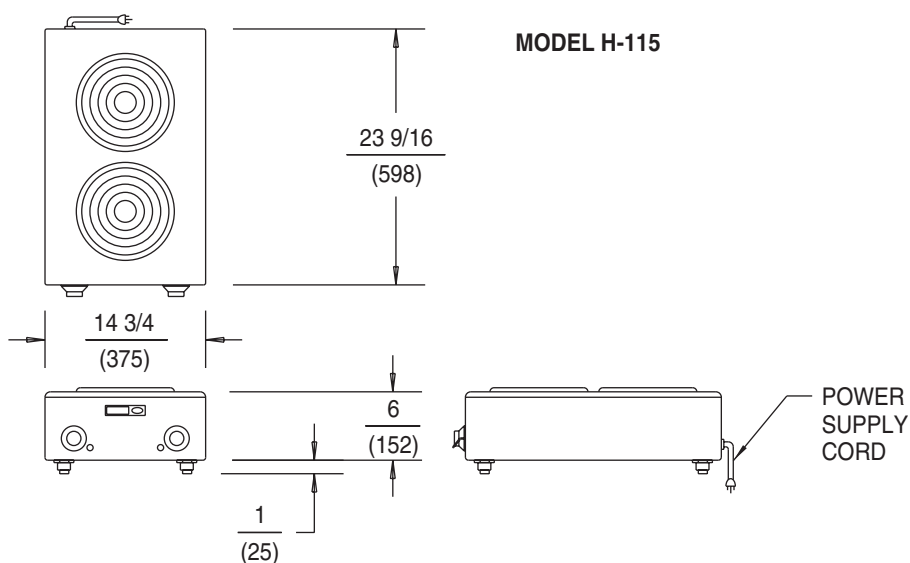
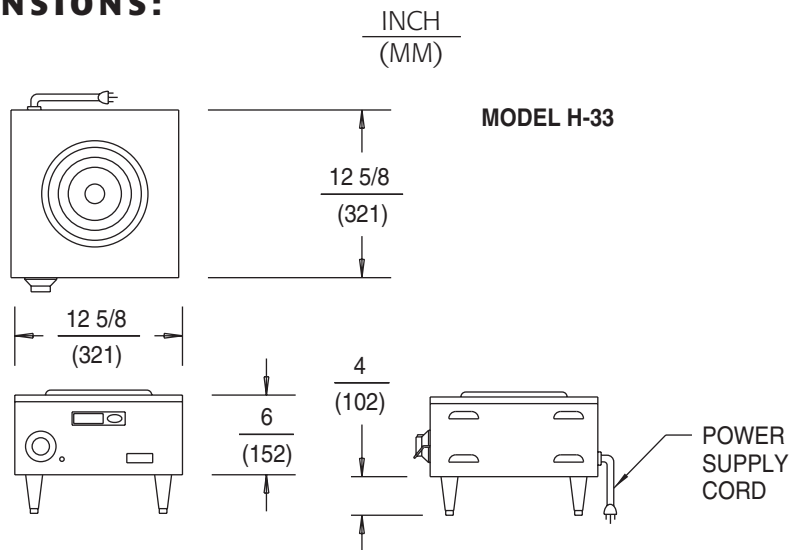
Legs, set of four, metal, 4" adjustable, 20563

Legs, set of four, plastic, 1", 21109





### DIMENSIONS:



### H-33 AND H-115 ELECTRICAL SPECIFICATIONS:

MODELS	VOLTS	WATTS	AMPS	PHASE	POWER SUPPLY CORD
H-33	120	1500	12.5	SINGLE	NEMA 5-15P
H-115	120	1650	13.8	SINGLE	NEMA 5-15P

NOTE: Specifications are subject to change without notice.

#### WELLS MANUFACTURING COMPANY

2 ERIK CIRCLE, PO BOX 280, VERDI, NV 89439 U.S.A.

USA PHONE: (775) 689-5700 • FAX: (775) 689-5972

FOR ORDERS ONLY: (888) 356-5362 • FAX: (800) 356-5142 • [www.wellsbloomfield.com](http://www.wellsbloomfield.com)

A SPECIALTY EQUIPMENT COMPANY • 2000 WELLS MANUFACTURING • PRINTED IN THE U.S.A.  
6/00 • REV(H) • PART NO. 38859

