

| | | |
|------------------|----------|-------------------|
| Project | Quantity | Item # |
| Model Specified: | | CSI Section 11400 |

Compact Undercounter Refrigerators/ Self-Contained

27", 48" & 60" Wide Models



Stainless Exterior,
Anodized
Aluminum Interior

| | |
|---|----------|
| 27" Wide One Door Hinged Left Model | UHT27-L |
| 27" Wide One Door Hinged Right Model | UHT27-R |
| 48" Wide Two Door Model Hinged Left/Right | UHT48-LR |
| 60" Wide Two Door Model Hinged Left/Right | UHT60-LR |



Left To Right Models UHT60-LR, UHT48-LR & UHT27-R
(shown with optional casters)

Finally there is a compact undercounter product worthy of the Traulsen name. Their rugged construction and high quality components make these units capable of standing up to the demanding environment of any foodservice kitchen. Each unit is built with a high quality stainless steel exterior and durable anodized aluminum interior.

They are also designed for high performance, providing accurate temperature maintenance. Fresh, safe food is assured, even under the most demanding conditions.

Their front breathing design allows for "zero-clearance" installation. As a result they can be placed right up against the backwall and alongside other kitchen equipment, saving valuable floor space. Additionally, they offer a wide range of optional accessories to choose from, and are ideal for use with many different type applications.

Standard Product Features

- Stainless Steel Exterior Top, Sides & Door(s)
- Anodized Aluminum Interior
- Front Breathing Self-Contained Refrigeration System
- Environmentally Friendly R-134a Refrigerant
- Self-Closing Stainless Steel Door(s) With Stay Open Feature At 105 Degrees
- Horizontal Work Flow Door Handle
- Anodized Aluminum Interior Door Liner
- Interior Mounted Thermometer
- Two (2) Powder Coated Shelves Per Door, Mounted On Pilasters
- Automatic Non-Electric Condensate Evaporator
- Magnetic Snap-In Door Gasket(s)
- 8' Cord & Plug Attached
- Set of Four (4) 6" High Adjustable Legs (6 for model UHT60)
- One Year Parts And Labor Warranty
- Five Year Compressor Warranty

Options & Accessories

- 22 Gauge Stainless Steel Worktop With 4" High Backsplash
- Stainless Steel Finished Back
- Additional Powder Coated Shelves
- 6" Overall Height Casters (for use in lieu of legs)
- 4" Overall Height Casters (for use in lieu of legs)
- 3-1/2" Overall Height Casters (for use in lieu of legs)
- 2-1/2" Overall Height Casters (for use in lieu of legs, 27" models only)
- Two Year Service/Labor Warranty Available



Models UHT27 and UHT48 are listed by ENERGY STAR® for energy efficient operation!



Listed by Underwriters Laboratories Inc., to U.S. and Canadian safety standards and and NSF International in accordance with ANSI/NSF7.

Approval: _____

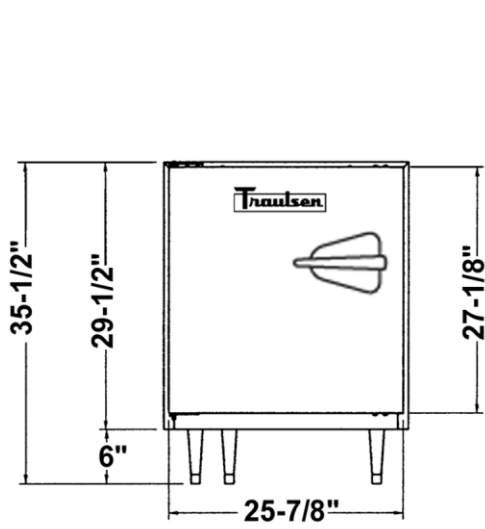


TRAUlsen
4401 BLUE MOUND RD.
PHONE 1 (800) 825-8220
Website: www.traulsen.com

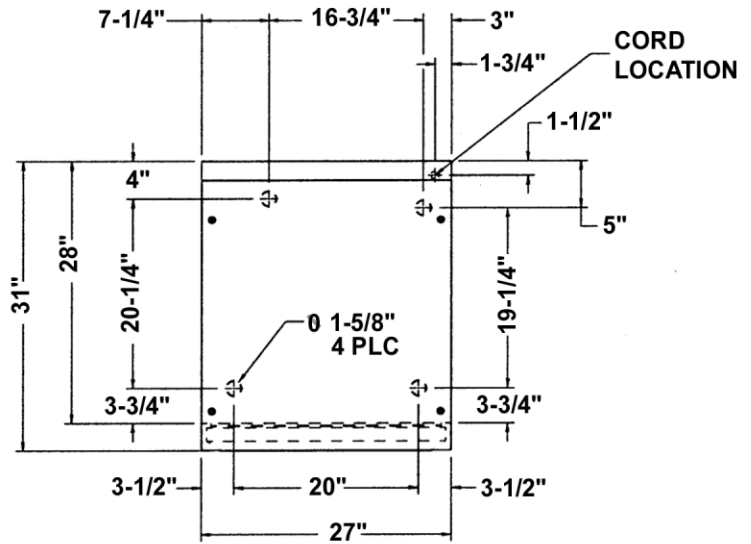
FT. WORTH, TX 76106
FAX-MKTG. 1 (817) 624-4302

SECTION
9-1

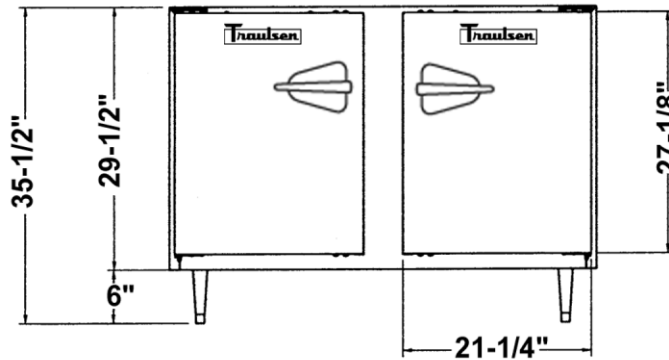
| | | |
|------------------|----------|-------------------|
| Project | Quantity | Item # |
| Model Specified: | | CSI Section 11400 |



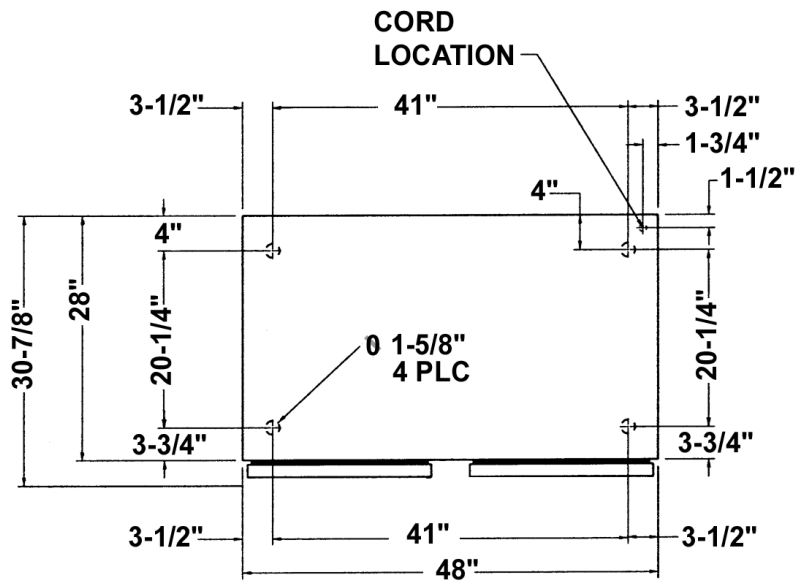
Elevation - UHT27



Plan - UHT27

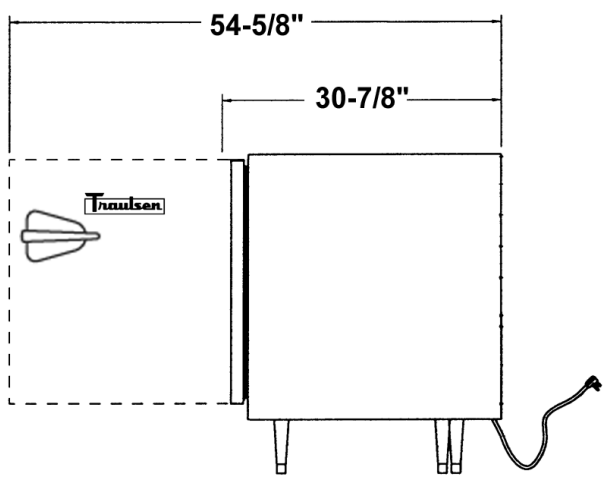


Elevation - UHT48

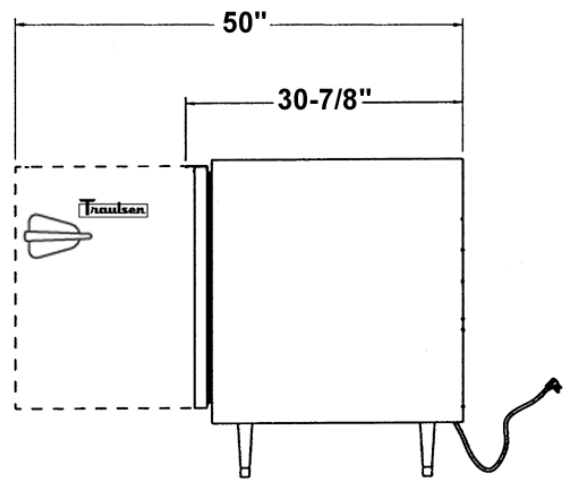


Plan - UHT48

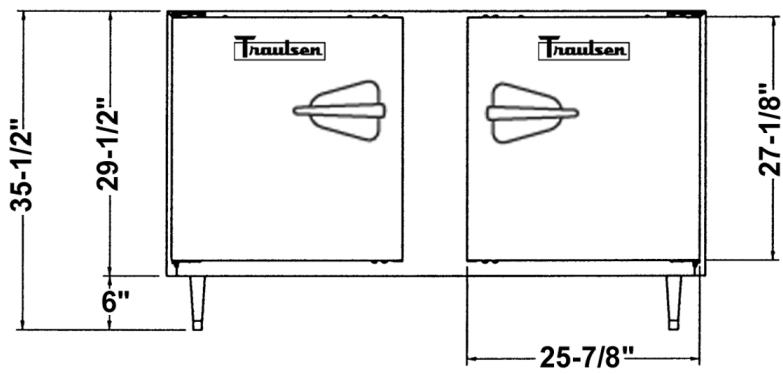
| | | |
|------------------|----------|-------------------|
| Project | Quantity | Item # |
| Model Specified: | | CSI Section 11400 |



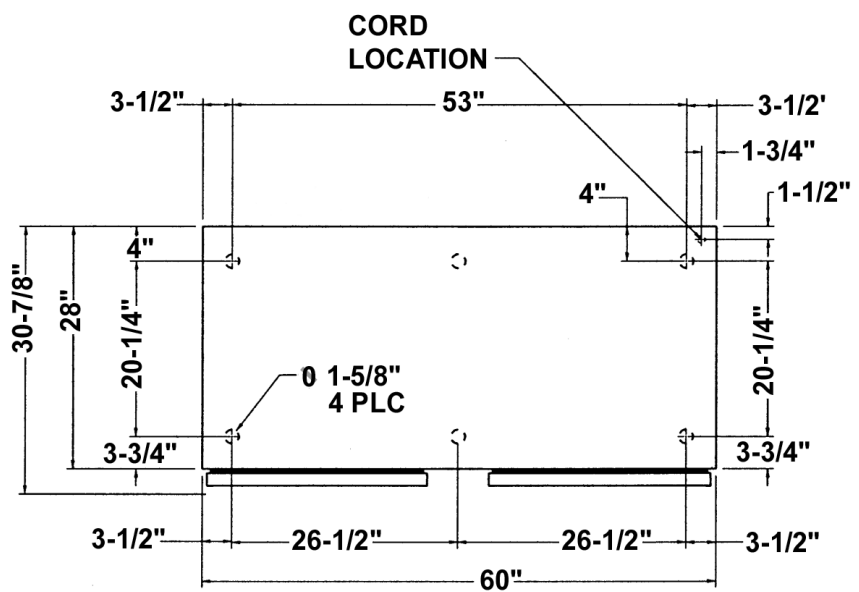
Section - 27" & 60" Models



Section - 48" Models



Elevation - UHT60



Plan - UHT60



TRAULSEN
 4401 BLUE MOUND RD.
 PHONE 1 (800) 825-8220
 Website: www.traulsen.com

FT. WORTH, TX 76106
 FAX-MKTG. 1 (817) 624-4302

| | | |
|------------------|----------|-------------------|
| Project | Quantity | Item # |
| Model Specified: | | CSI Section 11400 |

Specifications

Construction, Hardware and Insulation

Cabinet exterior front, one piece sides, and doors are constructed of 22 gauge stainless steel. Cabinet interior and door liners are constructed of anodized aluminum. The exterior cabinet back and bottom are constructed of galvanized steel.

A stainless steel door with a recessed work-flow handle and anodized aluminum liner is provided. The door self closes at less than 90 degrees and also includes a stay open feature at 105 degrees. Easily removable for cleaning, vinyl magnetic door gasket assures tight door seal.

Both the cabinet and door(s) are insulated with an average of 2" thick high density, non-CFC, foamed in place polyurethane.

Refrigeration System

A balanced, rear mounted, front breathing, self-contained refrigeration system using R-134a refrigerant is provided. It features a capillary tube metering device, air-cooled hermetic compressor, a forced air evaporator coil and a non-electric condensate evaporator. An 8' cord and plug is provided. Standard operating temperature is 34 to 38°F.

Interior

Standard interior arrangements include two (2) powder coated wire shelves per door, mounted on pilasters. These are adjustable in 1/2" increments, allowing for a minimum of 1-1/2" spacing between shelves.

Warranties

Both a one year parts and labor warranty and a five year compressor warranty (self-contained models only) are provided standard. An optional 2nd year extended parts and labor warranty is also available.

| DIMENSIONAL DATA | UHT27 | UHT48 | UHT60 |
|---------------------------------|--------------------------------|--------------------------------|--------------------------------|
| Net capacity cu. ft. | 7.1 | 13.1 | 16.7 |
| Length - overall in. | 27 | 48 | 60 |
| Depth - overall in. | 30 ⁷ / ₈ | 30 ⁷ / ₈ | 30 ⁷ / ₈ |
| Depth - with door open 90° | 54 ⁵ / ₈ | 50 | 54 ⁵ / ₈ |
| Clear door height in. | 24 ¹ / ₈ | 24 ¹ / ₈ | 24 ¹ / ₈ |
| Clear door width in. | 22 ³ / ₄ | 18 ¹ / ₄ | 22 ³ / ₄ |
| Height - overall on 6" legs in. | 35 ¹ / ₂ | 35 ¹ / ₂ | 35 ¹ / ₂ |
| Number of shelves - total | 2 | 4 | 4 |
| Shelf area sq. ft. | 4.88 | 10.3 | 13.2 |
| ELECTRICAL DATA | | | |
| Voltage | 115/60/1 | 115/60/1 | 115/60/1 |
| Full Load Amperes | 3.3 | 5.7 | 5.7 |
| Wattage | 225 | 480 | 480 |
| REFRIGERATION DATA | | | |
| Refrigerant | R-134a | R-134a | R-134a |
| BTU/HR - H.P. ¹ | 889 (1/8 HP) | 1869 (1/4 HP) | 1869 (1/4 HP) |
| SHIPPING DATA | | | |
| Length - Crated in. | 44 | 63 ¹ / ₂ | 75 ¹ / ₂ |
| Depth - Crated in. | 44 ¹ / ₄ | 44 ¹ / ₄ | 44 ¹ / ₄ |
| Height - Crated in. | 46 ³ / ₄ | 46 ³ / ₄ | 46 ³ / ₄ |
| Volume - Crated cu. ft. | 53 | 76 | 90 |
| Net Wt. lbs. | 250 | 265 | 355 |
| Gross Wt. lbs. | 275 | 290 | 380 |

NOTES

1= Based on a 90 degree F ambient and 20 degree F evaporator.



Equipped With One NEMA 5-15 P Plug

NOTE: When ordering please specify: Voltage, Hinging, Optional Accessories and any additional warranties.

Continued product development may necessitate specification changes without notice.

Part No. TR35819 (revised 1/07)

**SECTION
9-1**

TRAUlsen
4401 BLUE MOUND RD.
PHONE 1 (800) 825-8220
Website: www.traulsen.com

**FT. WORTH, TX 76106
FAX-MKTG. 1 (817) 624-4302**

