



 **ANVIL**

REFRIGERATED DISPLAY CABINET

36" / 48" / 60" WIDE

REFRIGERATED DISPLAY CABINET ELECTRIC



"Anvil's refrigerated display cabinet is a great way to present your food and keep it cool. Suitable for all types of foodstuffs."

APPLICATION

- ENHANCES FOOD PRESENTATIONS
- KEEPS FOOD AT THE RIGHT TEMPERATURE
- 2 X SHELVES - BOTTOM SHELF WILL ACCOMODATE HALF SIZE PANS

CONSTRUCTION

- EASY TO CLEAN
 - TRIPLE GLAZED FRONT GLASS GIVES ADDED STRENGTH AND INSULATION
 - SUITABLE FOR RECESSING INTO COUNTER TOP
-

Anvil reserves the right, without notice, to make changes and revisions to product specifications, materials and design, which in our opinion, will provide better performance, durability and efficiency.

QUALITY  GUARANTEE

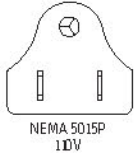
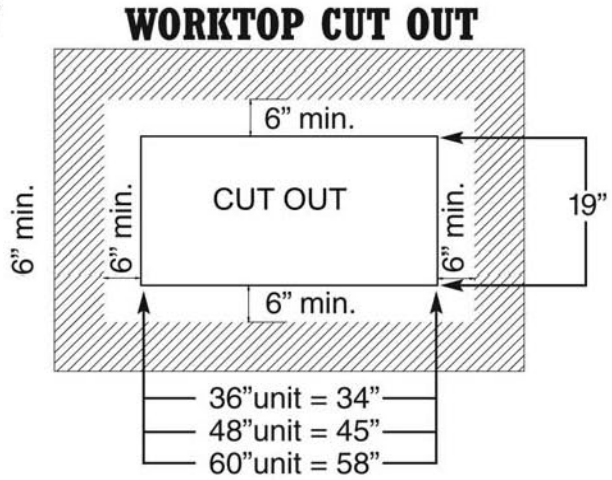
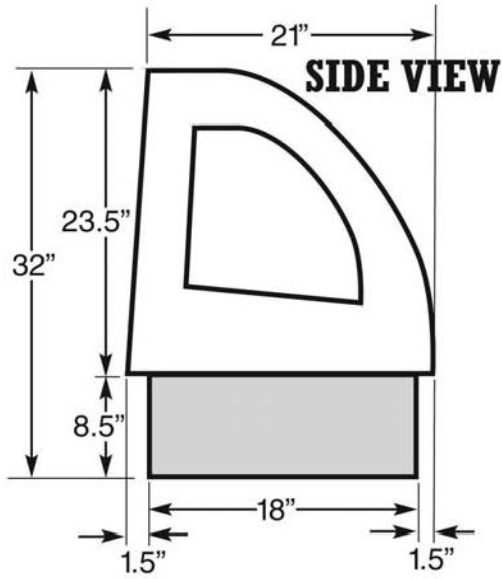
ALL ANVIL EQUIPMENT COMES WITH A ONE YEAR WARRANTY ON COMPONENTS AND DEFECTIVE WORKMANSHIP



NOTE:
When viewing the appliance from the front in its usual operating position, the width (W) of the product is the total distance from left to right ; the depth (D) of the product is the total distance from front to back ; the height (H) is the total distance from the bottom of the product to the top

**REFRIGERATED
DISPLAY CABINET
ELECTRIC**

MODELS:
RDE7136
RDE7148
RDE7160



DESCRIPTION	REFRIGERATED D/C	REFRIGERATED D/C	REFRIGERATED D/C
MODELS	RDE7136	RDE7148	RDE7160
WIDTH	36"	48"	60"
VOLTAGE	110	110	110
POWER (HP)	0.55HP	0.70HP	0.76HP
DIMENSIONS (in) (W x D x H)	36 x 21 x 33	48 x 21 x 33	60 x 21 x 33
BOX DIMS (in) (W x D x H)	39 x 25 x 40	51 x 25 x 40	63 x 25 x 40
PACKED WEIGHT (lbs)	220	254	286
COMPLIES WITH SPEC	NSF	NSF	NSF

Note: Output performance figures quoted are dependant on various factors.

Website: www.anvilworld.com

