



T&S BRASS AND BRONZE WORKS, INC.  
 2 SADDLEBACK COVE / P.O. BOX 1088 / TRAVELERS REST, SC 29690  
 PHONE 800-476-4103 - FAX 864- 834-3518



Model No.

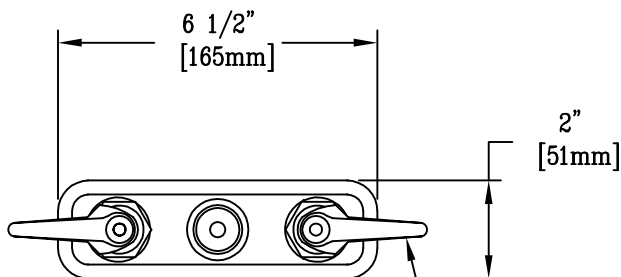
B-1141

RELIABILITY  
 BUILT IN

Job Name:

Architect/Engineer Approval:

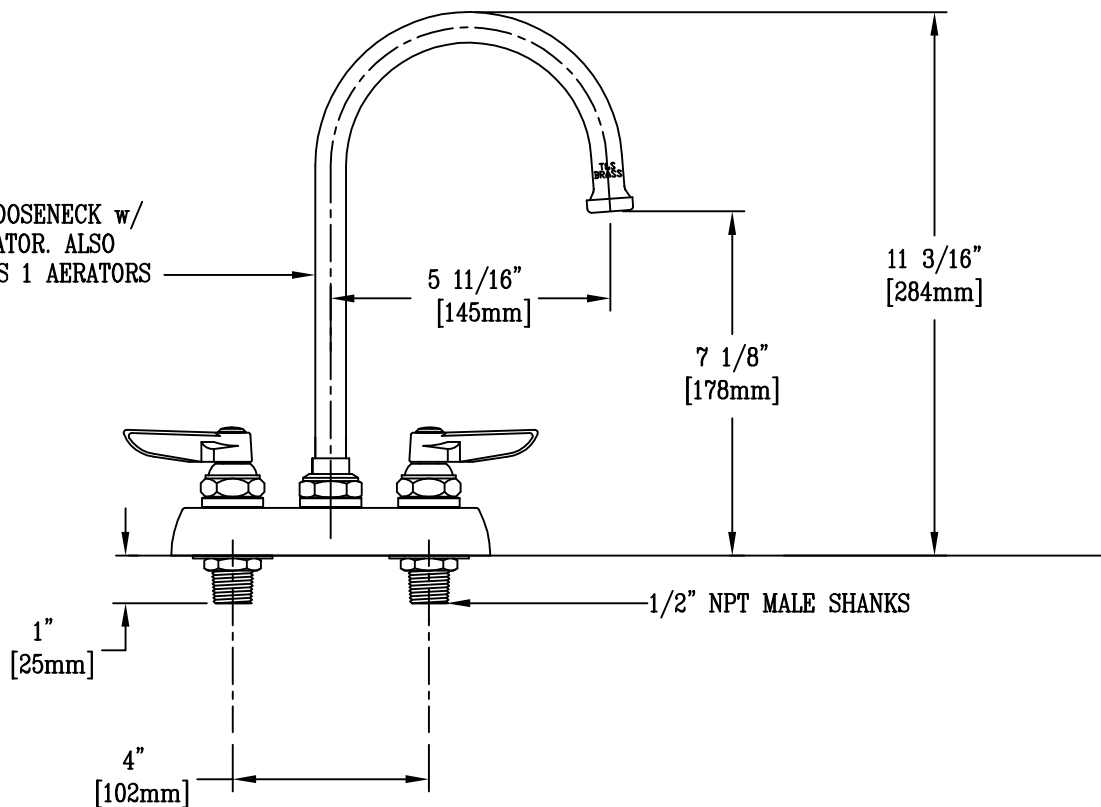
Notes:



TOP VIEW

HOT & COLD INDEXED  
 LEVER HANDLES

133X SWIVEL GOOSENECK w/  
 STREAM REGULATOR. ALSO  
 ACCEPTS SERIES 1 AERATORS



FRONT VIEW

Product Description:  
 WORKBOARD FAUCET WITH 1/2" NPT  
 MALE SHANKS, 4" INLET CENTERS, 133X SWIVEL  
 GOOSENECK, LEVER HANDLES

Drawn:

WJS

Checked

JKD

Scale:

1 : 4

Approved

MVW

Date:

10-4-01