


# BOTTLE COOLERS

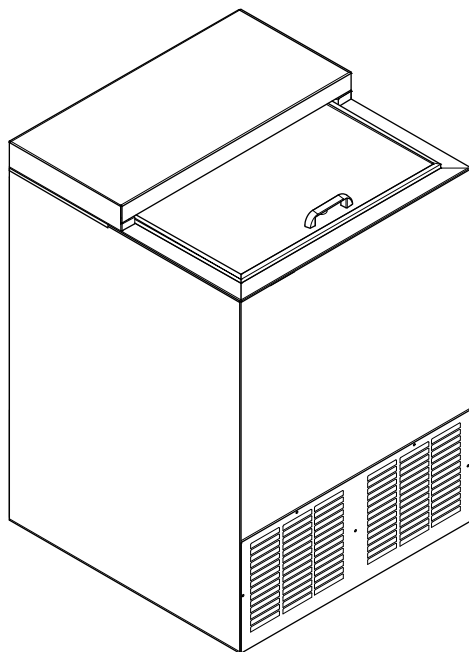
## Perlick Features

- Standard temperature available in two, three, four, five, six and eight foot models.
- Low temperature available in four, five, and six foot models.
- Stainless steel interior standard.
- Stainless or black vinyl coated exteriors.
- Reinforced door mullion will not bend or sag.
- Dent resistant heavy gauge doors.
- Two inch foamed-in-place walls save on energy costs and add strength.
- Heavy duty construction.
- Twenty four inch front to back dimension matches depth of underbar stainless steel.
- Plug-in installation; no drain required.
- Efficient, balanced refrigeration system.
- Quiet running, high efficiency compressor.

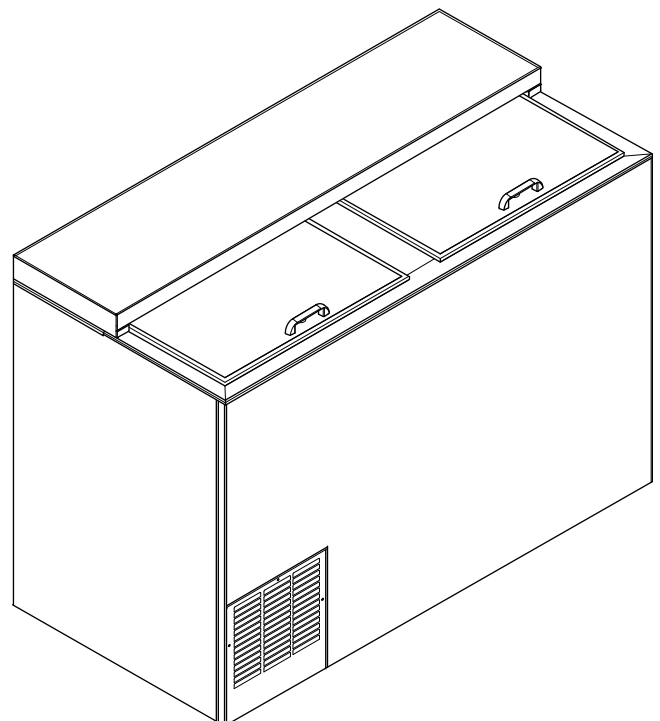
## MODEL NOS.

- BC24 Series
- BC36 Series 
- BC48 Series
- BC48LT Series
- BC60 Series
- BC60LT Series
- BC72 Series
- BC72LT Series
- BC96 Series

† BC36 Model Only



BC24 Series



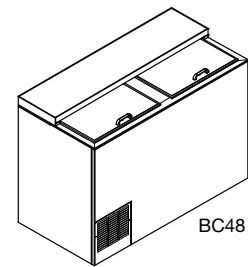
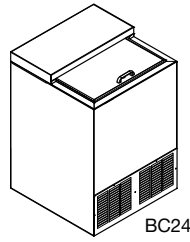
BC48 Series



8300 West Good Hope Road • Milwaukee, WI 53223 • Phone 414-353-7060 • Fax 414-353-7069  
Toll Free 800-558-5592 • E-Mail: [Perlick@Perlick.com](mailto:Perlick@Perlick.com) • [www.Perlick.com](http://www.Perlick.com)

# Sizes and Specifications Bottle Coolers

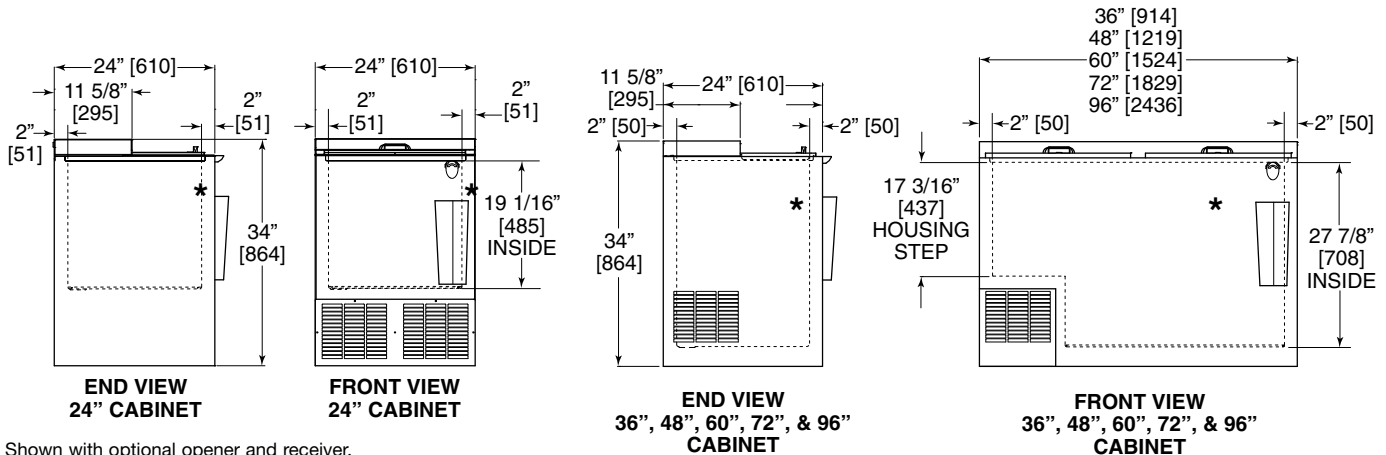
Job \_\_\_\_\_  
 Area \_\_\_\_\_  
 Item No. \_\_\_\_\_  
 Model No. \_\_\_\_\_



MODEL NOS.		BC24	BC36 <sup>†</sup>	BC48/BC48LT	BC60/BC60LT	BC72/BC72LT	BC96
CABINET DIMENSIONS	Length - Inches (mm)	24" (610)	36" (914)	48" (1219)	60" (1524)	72" (1829)	96" (2436)
	Depth - Inches (mm)	24" (610)	24" (610)	24" (610)	24" (610)	24" (610)	24" (610)
	Height - Inches (mm)	34" (864)	34" (864)	34" (864)	34" (864)	34" (864)	34" (864)
INTERIOR CUBIC FOOT (m <sup>3</sup> )		3.75 (0.10)	7.83 (0.22)	11.68 (0.33)	15.53 (0.44)	19.38 (0.55)	27.08 (0.77)
CASE CAPACITY (12oz. bottles)		5.5	9.75	17.2	21	28.3	41
CASE CAPACITY (12oz. cans)		7	16	25	30	36	58
CONDENSER UNIT H.P.		1/5	1/5	1/4	1/3	1/3	1/3
AMPS		3.2	3.0	5.2	7.0	6.9	7.6
SHIP WT Lbs. (kg)		190 (86)	245 (111)	300 (136)	353 (160)	405 (184)	515 (235)
INTERIOR	All models have stainless steel walls and floor.						
EXTERIOR	Choice of black, stainless steel and all stainless. <b>Black Option:</b> Front and ends are black vinyl coated steel, back and bottom are galvanized. <b>Stainless Steel Option:</b> Front and ends are stainless steel, back and bottom are galvanized. <b>All Stainless Option:</b> Front, ends, back and bottom are all stainless steel.						
TEMPERATURE	38°F Standard model. 30°F Low-Temp model. (Approximate factory settings)						
DOORS (Sliding)	Stainless steel top and bottom pans. Die cast handle. Optional locks.						
ELECTRICAL	115V, 60 Hz., 1 Phase. Furnished with 6 foot rubber plug-in cord (115V model only). Also available in 230V, 50Hz., 1 Phase AC. carries CE marking of conformity.						
PLUMBING	None required. Condensate evaporates automatically.						
INSULATION	2 inch foamed-in-place polyurethane insulation.						
REFRIGERATION	R134a capillary tube/type with hermetic condensing unit. Pulls out for service and cleaning.						
VENTILATION	2' model is front vented, all other models require 2" clearance from wall either on left end or back of cabinet for proper air flow.						
OPTIONAL ACCESSORIES & MODIFICATIONS	<ul style="list-style-type: none"> <li>• Floor racks</li> <li>• Bin dividers</li> <li>• Interior light kit</li> <li>• Thermometer (installed)</li> <li>• Casters</li> <li>• Speed rails</li> <li>• Adjustable legs</li> <li>• Bottle opener and receiver</li> <li>• Wine temperature (specify red or white)</li> <li>• Roller basket shelving</li> <li>• Door locks</li> </ul>						

# This equipment is intended for the storage and display of non-potentially hazardous bottled or canned products only.

† BC36 Model Only.



\* Shown with optional opener and receiver.



8300 West Good Hope Road • Milwaukee, WI 53223 • Phone 414-353-7060 • Fax 414-353-7069  
 Toll Free 800-558-5592 • E-Mail: Perlick@Perlick.com • www.Perlick.com

Perlick is committed to continuous improvement.  
 Therefore, we reserve the right to change specifications without prior notice.

Form No. 130303  
 Rev. 07.14.10