



Profit from the Eagle Advantage®

Specification Sheet

Short Form Specifications

Eagle Hot Food Tables, Spec-Master® Series, model _____ enclosed base design. Top and body to be heavy gauge type 430 stainless steel (Open Front or Sliding Doors). Beaded top openings to be 12½" x 20½". Heating compartments to be 8" deep, galvanized, and insulated on all four sides and bottom with 1" fiberglass or equal. Each compartment to have individual burner rated at 3,500 BTU. Each burner controlled by a high/medium/low adjustable gas valve with adjustable pilot light. Removable galvanized steel radiation plate in each compartment, and gas pressure regulator provided. 8" wide polycarbonate cutting board provided. 7½"-high legs to be 1½" O.D. stainless steel tubing, with adjustable non-marking bullet feet.



#HT3OB-NG unit with open front

Options / Accessories

- Spillage pans
- Rolltop cover
- Overshelves
- Food pans/insets
- Tray slides/shelves
- Dish shelves
- Serving shelves
- Stainless steel feet
- Propane hose kit
- Spec-Master® marine edge
- Decorative laminates

* See Catalog Sheet #EG30.18 for more information on Flex-Master® overshelves

EAGLE GROUP
100 Industrial Boulevard, Clayton, DE 19938-8903 USA
Phone: 302-653-3000 • Fax: 302-653-2065
www.eaglegrp.com

Foodservice Division: Phone 800-441-8440
MHC/Retail Display Divisions: Phone 800-637-5100

For custom configuration or fabrication needs, contact our **SpecFAB® Division**.
Phone: 302-653-3000 • Fax: 302-653-3091 • e-mail: specfab@eaglegrp.com

Spec sheets available for viewing, printing or downloading from our online literature library at www.eaglegrp.com

Eagle Foodservice Equipment, Eagle MHC, SpecFAB®, and Retail Display are divisions of Eagle Group. ©2011 by the Eagle Group

Item No.: _____
 Project No.: _____
 S.I.S. No.: _____

Spec-Master® Gas Hot Food Tables—Enclosed Base

MODELS:

- HT2CB-NG
- HT2CB-LP
- HT2OB-NG
- HT2OB-LP
- HT3CB-NG
- HT3CB-LP
- HT4OB-NG
- HT4OB-LP
- HT5CB-NG
- HT5CB-LP
- HT5OB-NG
- HT5OB-LP
- HT6CB-NG
- HT6CB-LP
- HT6OB-NG
- HT6OB-LP

Construction

- 20 gauge cabinet body and 22 gauge top are polished type 430 series stainless steel.
- Top shall have die-stamped beaded openings measuring 12½" x 20½" (307 x 510mm).
- A poly cutting board 8" wide x ½" thick (203 x 13mm) are mounted on stainless steel brackets located on control side of unit.
- Legs are 1½" (41mm) O.D. stainless steel tubing fitted with adjustable, non-marking plastic feet.

Heat Compartments

- Under each top opening is a heat compartment with a die-formed 8" (203mm)-deep heavy-gauge galvanized liner.
- Each compartment is insulated on all four sides and bottom with 1" (25mm)-thick fiberglass or equal, having a thermal conductivity of 0.27 or less.

Gas Heat Units

- Each compartment has an individual burner rated at 3,500 BTU designed for use with natural or propane gas as specified.
- Each burner is controlled by High/Medium/Low adjustable gas valve with adjustable pilot light.
- A removable galvanized steel radiation plate shall also be provided in each compartment and a gas pressure regulator furnished with all units.

Sliding Doors (when indicated)

- 22 gauge stainless steel construction complete with recessed stainless steel handle.
- Doors shall sit within an exclusive rollerless track assembly providing easier cleaning and lower maintenance.

Certifications / Approvals



AUTOQUOTES

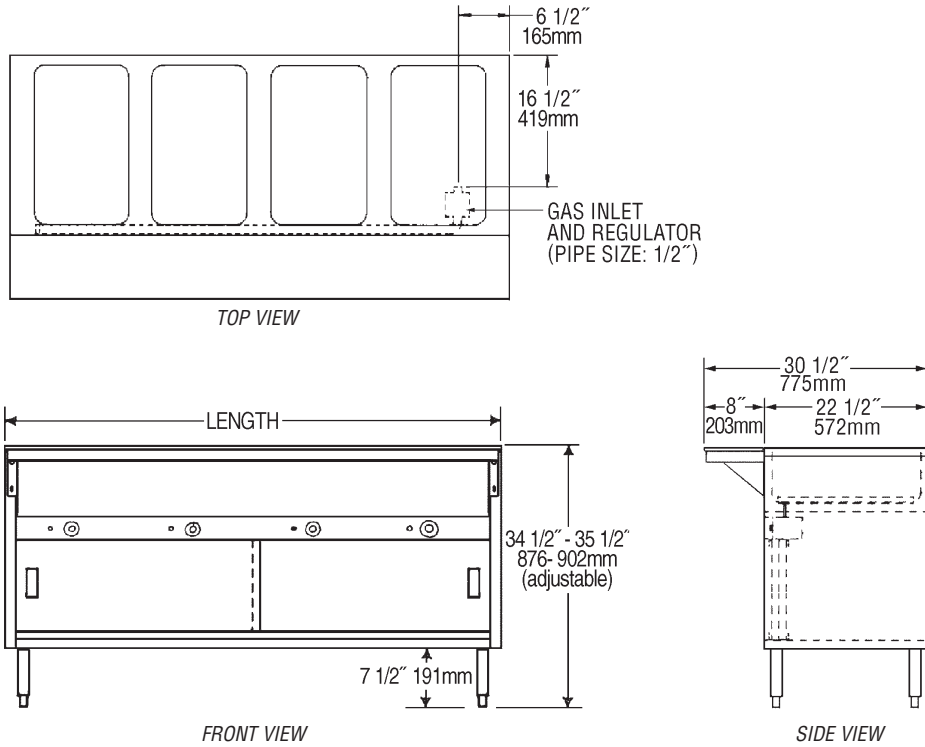


EG30.06 Rev. 04/11



Item No.: _____
 Project No.: _____
 S.I.S. No.: _____

Spec-Master® Gas Hot Food Tables—Enclosed Base



WITH OPEN FRONT model #	WITH SLIDING DOORS model #	type of gas	# of openings	total BTU rating	length in. mm	weight lbs. kg
HT2OB-NG	HT2CB-NG	natural gas	2	7,000	33" 838	207 93.9
HT2OB-LP	HT2CB-LP	liquid propane	2	7,000	33" 838	207 93.9
HT3OB-NG	HT3CB-NG	natural gas	3	10,500	48" 1219	248 112.5
HT3OB-LP	HT3CB-LP	liquid propane	3	10,500	48" 1219	248 112.5
HT4OB-NG	HT4CB-NG	natural gas	4	14,000	63 1/2" 1613	289 131.1
HT4OB-LP	HT4CB-LP	liquid propane	4	14,000	63 1/2" 1613	289 131.1
HT5OB-NG	HT5CB-NG	natural gas	5	17,500	79" 2007	330 149.7
HT5OB-LP	HT5CB-LP	liquid propane	5	17,500	79" 2007	330 149.7
HT6OB-NG	HT6CB-NG	natural gas	6	21,000	94 1/2" 2400	375 170.1
HT6OB-LP	HT6CB-LP	liquid propane	6	21,000	94 1/2" 2400	375 170.1

FLEX-MASTER® Overshelf Kits

Both kits include two 16/304 overshelves and four 30" (762mm) posts.
 Add suffix specified to order kit (example: DHT2-120-FMU), or design your own using standard components from EG30.18.

description	add suffix
10" (254mm) overshelves	-FM
15" (381mm) overshelves, plus one ladle rack	-FMU

EAGLE GROUP
 100 Industrial Boulevard, Clayton, DE 19938-8903 USA
 Phone: 302-653-3000 • Fax: 302-653-2065
 www.eaglegrp.com

Foodservice Division: Phone 800-441-8440
 MHC/Retail Display Divisions: Phone 800-637-5100

Printed in U.S.A.
 ©2011 by Eagle Group
 Rev. 04/11

Spec sheets available for viewing, printing or downloading from our online literature library at www.eaglegrp.com

Although every attempt has been made to ensure the accuracy of the information provided, we cannot be held responsible for typographical or printing errors. Information and specifications are subject to change without notice. Please confirm at time of order.