



# CONVECTION OVEN

SILVERSTAR  
ELECTRIC, SINGLE DECK

## Standard Features

- ENERGY STAR® qualified (standard depth only)
- 11kW high efficiency heating elements
- Single deck convection oven is 55" in height(with optional casters)
- Patented "plug-in, plug-out" control panel - easy to service
- Stainless Steel front, top and sides
- Oven interior light
- Dependent doors with windows
- Coved, fastener-free, porcelain interior
- Heavy duty stainless steel door handle
- Soft Air, two speed, 1/2 hp, fan motor
- 11-position rack guides and 5 plated oven racks
- Solid state temperature controls
- Forced cool down fan mode
- Oven "ready" light

SLES/10SC, SLES/10CCH  
SLEB/10SC, SLEB/10CCH



(SLES/10SC shown with optional casters)

## Available Controls

### SC-Standard Controls

140°F to 500°F solid state thermostat and 60 minute mechanical cook timer.

### CCH-Cycle / Cook & Hold Control

150°F to 500°F temperature controller with 140°F to 200°F "Hold" thermostat dual digital display shows time and temperature. A fan cycle timer pulses the fan.

## STANDARD CONSTRUCTION SPECIFICATIONS

**Exterior Finish:** Stainless steel front, top and sides. Aluminized steel back.

**Doors:** Dependent doors with windows. Stainless steel construction, heavy-duty welded steel frame and 5/8" diameter full-length hinge pin.

**Electrical System:** Terminal connections are located below oven section and are accessible from the front of the oven. These sheath type electrical heating elements located at the rear of the oven function as a single heating unit with a combined rating of 11 kW. Available voltages include 208, 240, 380, and 480 VAC single or three phase, 50/60 Hz. Ovens equipped with 480VAC single or three phase heating elements use 240V controls and motors and do not require separate electrical lead wires.

**Legs:** 26" Stainless steel, triangular legs standard.

**Rack and Rack Guides:** Heavy-duty removable wire rack guides spaced on 1-5/8" centers offer 11 different rack positions. 5 wire racks provided with each oven.

**Blower Fan and Motor:** 1/2hp, 2-speed motor, 1710/1120 r.p.m

**Oven Heating:** Oven heating is regulated by an adjustable solid state thermostat control. Blower fan circulates air within the cavity "scrubbing" heat to the oven interior for even heat distribution within the cavity. Manual reset high limit temperature control protects the oven from overheat condition.

**Control Panel:** Located of front, at right side of oven, away from heat zone. Removable panel opens downward for easy servicing.

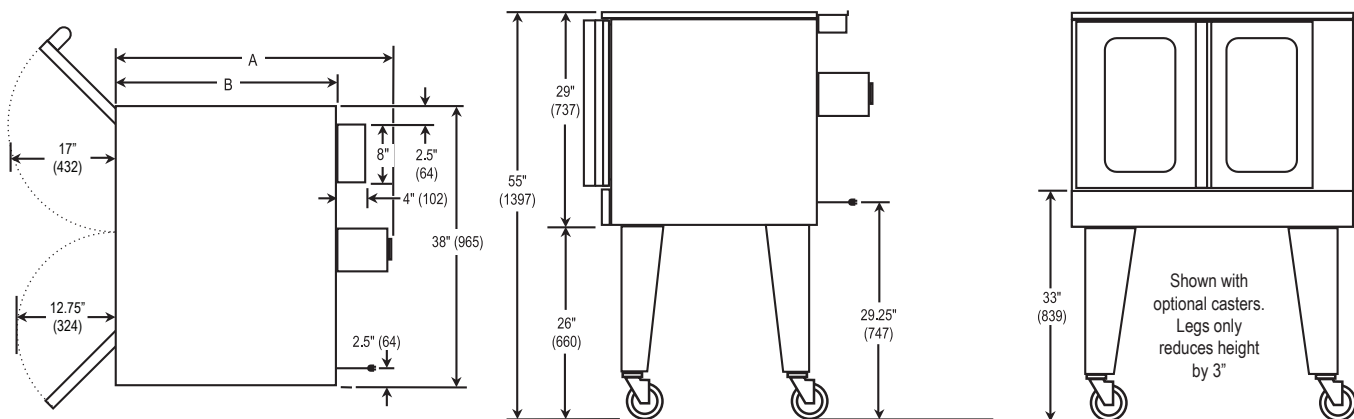
**Note:** Oven cannot be operated without fan in operation.

Job  
Item#



Models:  SLES/10SC  SLES/10CCH  SLEB/10SC  SLEB/10CCH

Dimensions -in (mm)



| MODEL   | DEPTH         |              | OVEN INTERIOR |                |              | RACK CLEARANCE  |                 | SHIPPING CRATE |               |               |                               |                        |
|---------|---------------|--------------|---------------|----------------|--------------|-----------------|-----------------|----------------|---------------|---------------|-------------------------------|------------------------|
|         | A             | B            | WIDTH         | DEPTH          | HEIGHT       | WIDTH           | DEPTH           | WIDTH          | DEPTH         | HEIGHT        | VOLUME                        | WEIGHT                 |
| SLES/10 | 37"<br>(940)  | 30"<br>(763) | 29"<br>(737)  | 22.5"<br>(572) | 20"<br>(508) | 28.25"<br>(718) | 22"<br>(559)    | 48"<br>(1220)  | 57"<br>(1448) | 46"<br>(1168) | 72.8 cu. ft.<br>(2.06 cu. m.) | 620 lbs<br>(281.2 kg.) |
| SLEB/10 | 44"<br>(1118) | 37"<br>(940) | 29"<br>(737)  | 28"<br>(711)   | 20"<br>(508) | 28.25"<br>(718) | 27.25"<br>(692) | 48"<br>(1220)  | 57"<br>(1448) | 46"<br>(1168) | 72.8 cu. ft.<br>(2.06 cu. m.) | 690 lbs<br>(313.0 kg.) |

**Note:** When shipped on legs, crated height is 69" (1753 mm)

### UTILITY INFORMATION

**Standard:** 1/2 horsepower, 2 speed motor, 1710/1120 r. p. m.

| ELECTRICAL DATA                              |                   | AMPS PER LINE |         |    |    |       |
|--|-------------------|---------------|---------|----|----|-------|
| EACH OVEN                                    | VOLTAGE           | 1 PHASE       | 3 PHASE |    |    |       |
|  |                   |               | X       | Y  | Z  | NEUT. |
| 12 kW<br>Heating<br>Elements and<br>Controls | 208 VAC, 60Hz     | 58            | 34      | 34 | 31 | 0     |
|  | 220/240 VAC, 50Hz | 46            | 28      | 28 | 24 | 0     |
|  | 240 VAC, 60Hz     | 50            | 30      | 30 | 26 | 0     |
|  | 380/220 VAC, 50Hz | 32            | 17      | 17 | 21 | 4     |
|  | 415/240 VAC, 50Hz | 50            | 15      | 15 | 19 | 4     |
|  | 480 VAC, 60Hz     | 25            | 14      | 14 | 13 | 0     |

\* All units shipped single phase. Single phase easily converted to three phase

### MISCELLANEOUS

- Clearances from combustibles: Top, bottom, right, left side -0".
- Recommended - install under vented hood.
- Check local codes for fire and sanitary regulations.

#### NOTICE:

Southbend has a policy of continuous product research and improvement. We reserve the right to change specifications and product design without notice. Such revisions do not entitle the buyer to corresponding changes, improvements, additions or replacements for previously purchased equipment.

### OPTIONS AND ACCESSORIES

- Stainless Steel rear jacket
- Stainless Steel oven interior
- Stainless Steel exterior bottom
- 6" stainless steel legs
- Bolt-down flanged legs
- Swivel Caster - front with locks
- Extra oven racks
- Export Crating
- 2" air insulation panel ( stainless steel only)

**INTENDED FOR COMMERCIAL USE ONLY.  
NOT FOR HOUSEHOLD USE.**



1100 Old Honeycutt Road, Fuquay-Varina, NC 27526  
(919) 762-1000 www.southbendnc.com